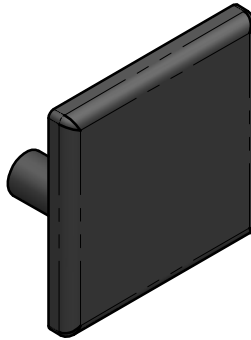
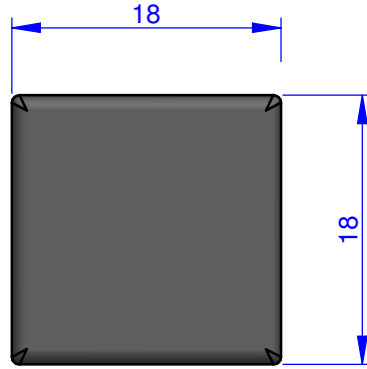


THE PROPERTY OF THIS DRAWING IS ESTABLISHED BY LAW  
IT IS FORBIDDEN TO REPRODUCE IT OR SHOW IT TO THIRD PARTY  
WITHOUT A WRITTEN AGREEMENT.

MODIFICATIONS:	VARIED DIMENSIONS AS OF DATE:
7.	10.
8.	11.
9.	12.

MODIFICATIONS:	VARIED DIMENSIONS AS OF DATE:
1.	4.
2.	5.
3.	6.



**FP** Services



DESIGNED FROM  
FPSERVICES

DATE 11/2013 WEIGHT 0,001 kg

CODE **CA.ADK.L.1818**

Format A4  
UNI 936-76

GENERAL TOLERANCE:  
UNI - ISO 2768  
CLASSE f

DESCRIPTION

